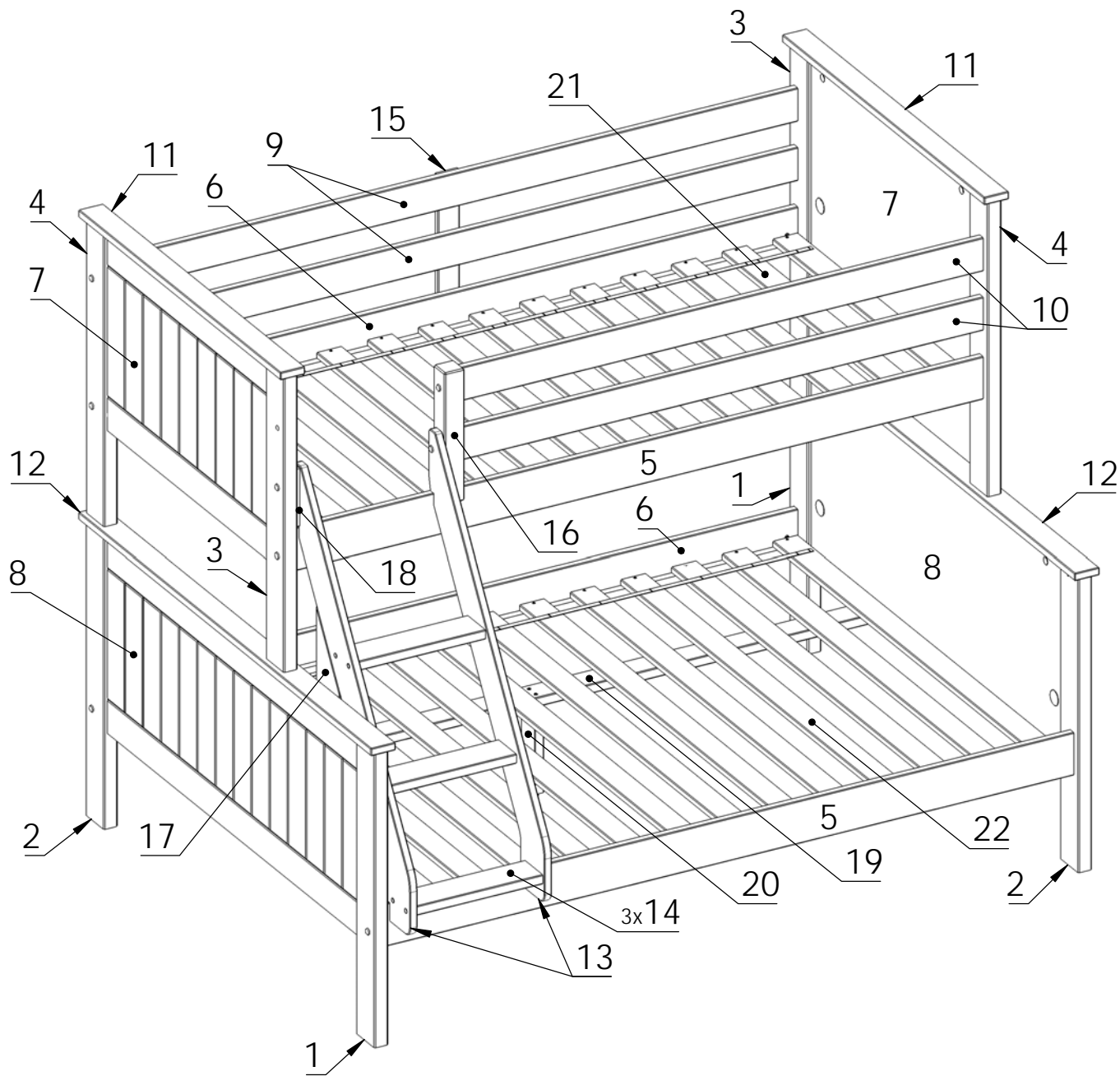
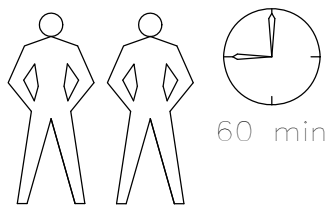
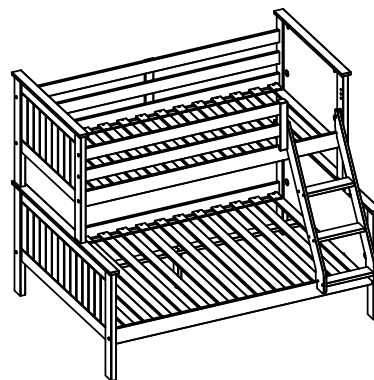
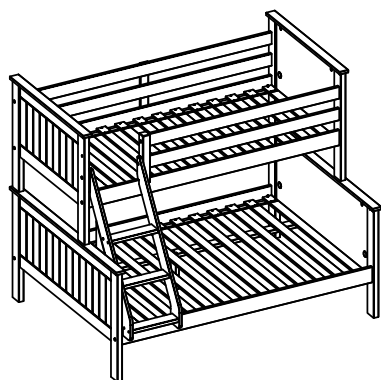


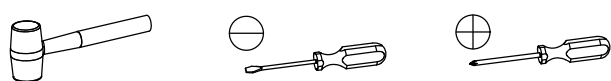
IMPORTANT - READ CAREFULLY - KEEP FOR FUTURE REFERENCE





Ladder can be fitted
right or left side.

Tools needed (not supplied)



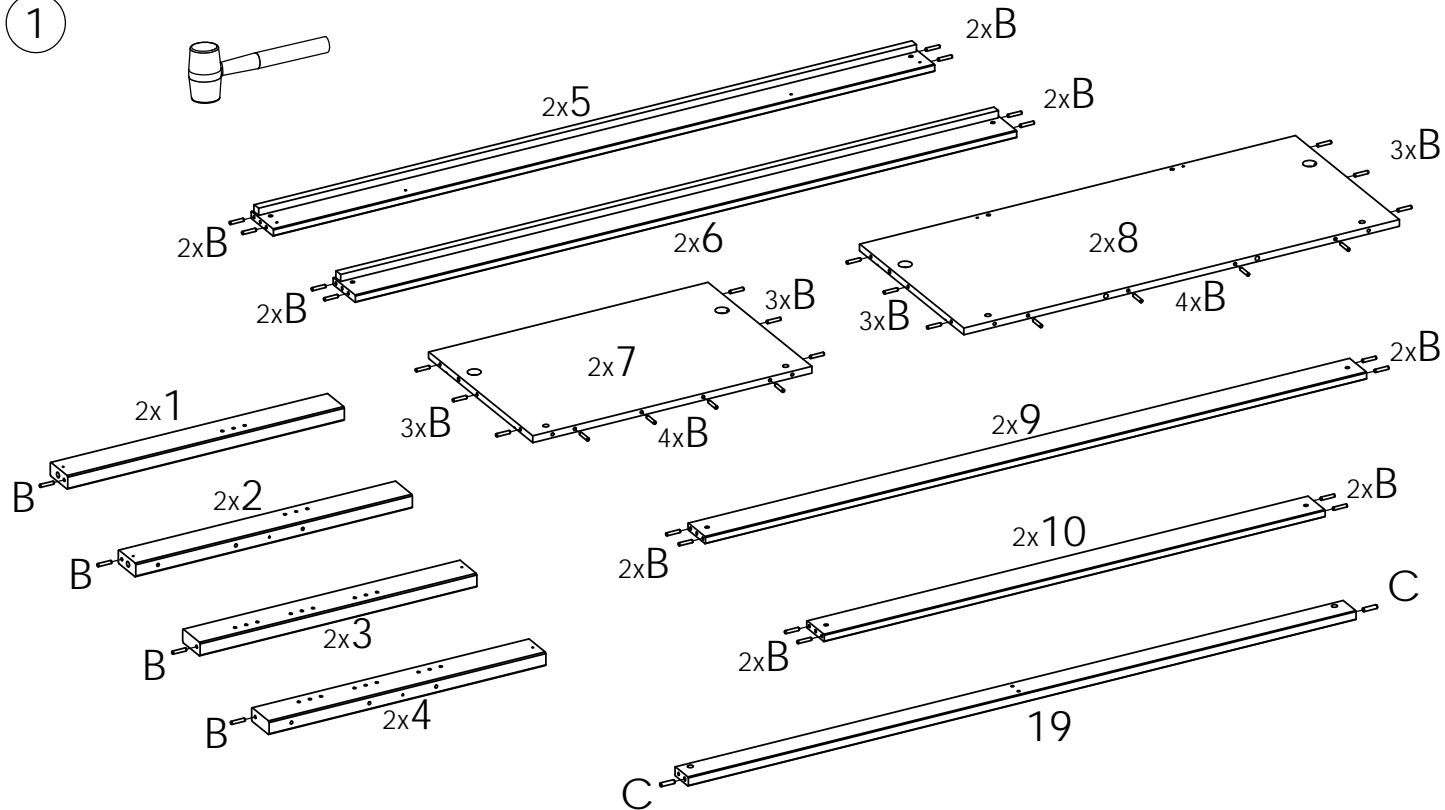
A		8x30	x1
B		8x40	x80
C		10x40	x2
D		12x80	x4
F		M6x65	x1
G		M6x75	x14
H		M6x90	x1
J		M6x110	x1
K		M6x10x13	x16
L		M6x8x15x15	x1
M		7x50	x12
N		7x60	x10
P		D35	x8
R		57/12,5x5,5	x4
Q		5x50	x1
S		7x34	x10
T		15x12	x10


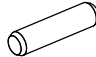
U		3,5x40	x56
V		4,2x35	x8
X		5x30	x6
Y		D4x13	x12
Z		D8x13	x16
W		D12x16	x4
Ba		D13	x10
Ca		D20	x8
Da		D15x18	x18
Ea		D35	x8
Fa		M8x20x10,4	x1
Ga		M8x20 D28	x1
Ha		D24x2,7	x8
Ja		71x30x3	x2
		4mm	x2

IMPORTANT - READ CAREFULLY - KEEP FOR FUTURE REFERENCE

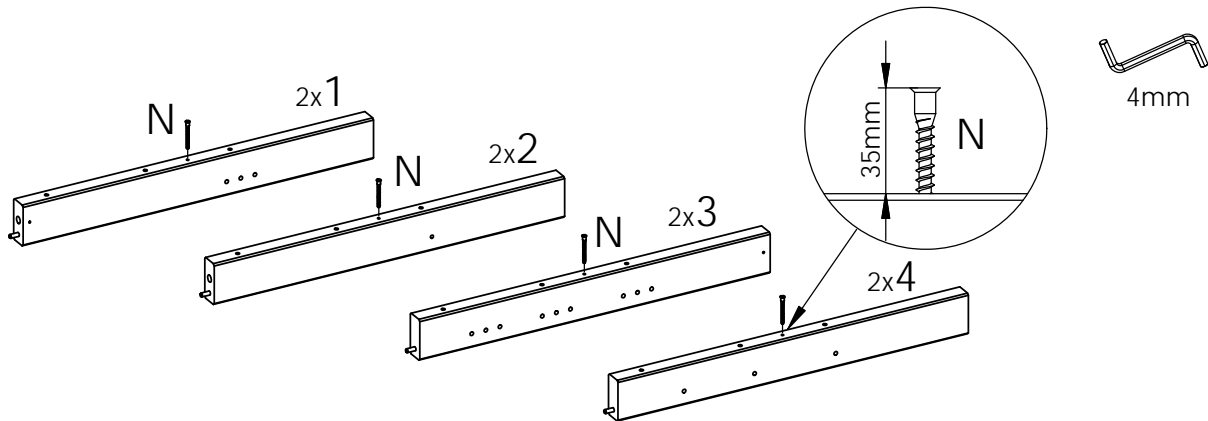
- a) **WARNING** Raised beds and the upper bed in a bunk bed assembly are not good for children under 6 years old because of the risk of injury from falling from such beds,
- b) **WARNING** If the raised and bunk beds are not used correctly, they can present a serious risk of injury from strangulation. Never attach or suspend things from the upper bunk bed that are not going to be used with that bed.
Such things include - but are not limited to - cords, string, sashes, hooks, belts and bags.
- c) **WARNING** Children can find themselves trapped between the bed and wall, or inclined roof wall, ceiling, adjacent pieces of furniture (such as cupboards) or other items.
To avoid any risk of serious injury, the distance between the upper safety barrier and surrounding items should not exceed 75 mm - or the distance should be greater than 230 mm.
- d) **WARNING** Do not use the bunk bed/high bed if a part of the structure is missing or broken. Spare parts should be requested from the manufacturer or shop.
- e) It is essential that the manufacturer's instructions on assembly and use are followed.
- f) The recommended size of the mattress to be used with the bed is 1900mm x 900/1350mm, Maximum mattress thickness: 228mm
- g) Mattresses must be aired to maintain a low humidity and to stop moisture building up in the bed and its surroundings.
- k) The fastenings put in place on assembly should all be properly tightened and regularly checked. Retighten the fastenings as necessary.
- l) This complies with the requirements of the European Safety Standard NF EN 747+A1: 2015.
- m) The presence of a night light could give more safety for a child sleeping in an upper bed.


1



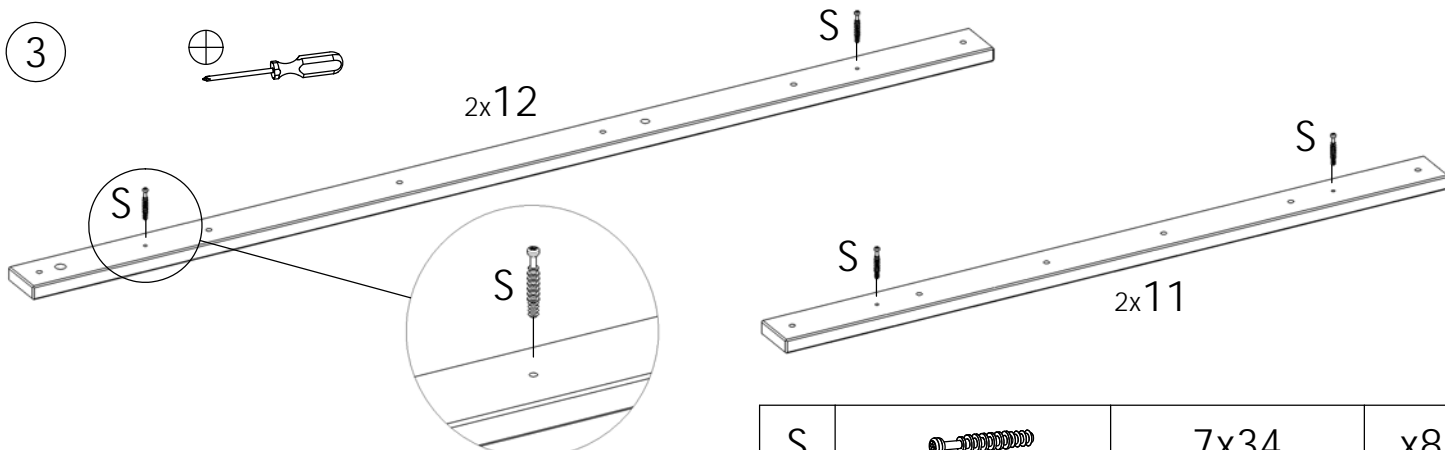
B		8x40	x80
C		10x40	x2

2



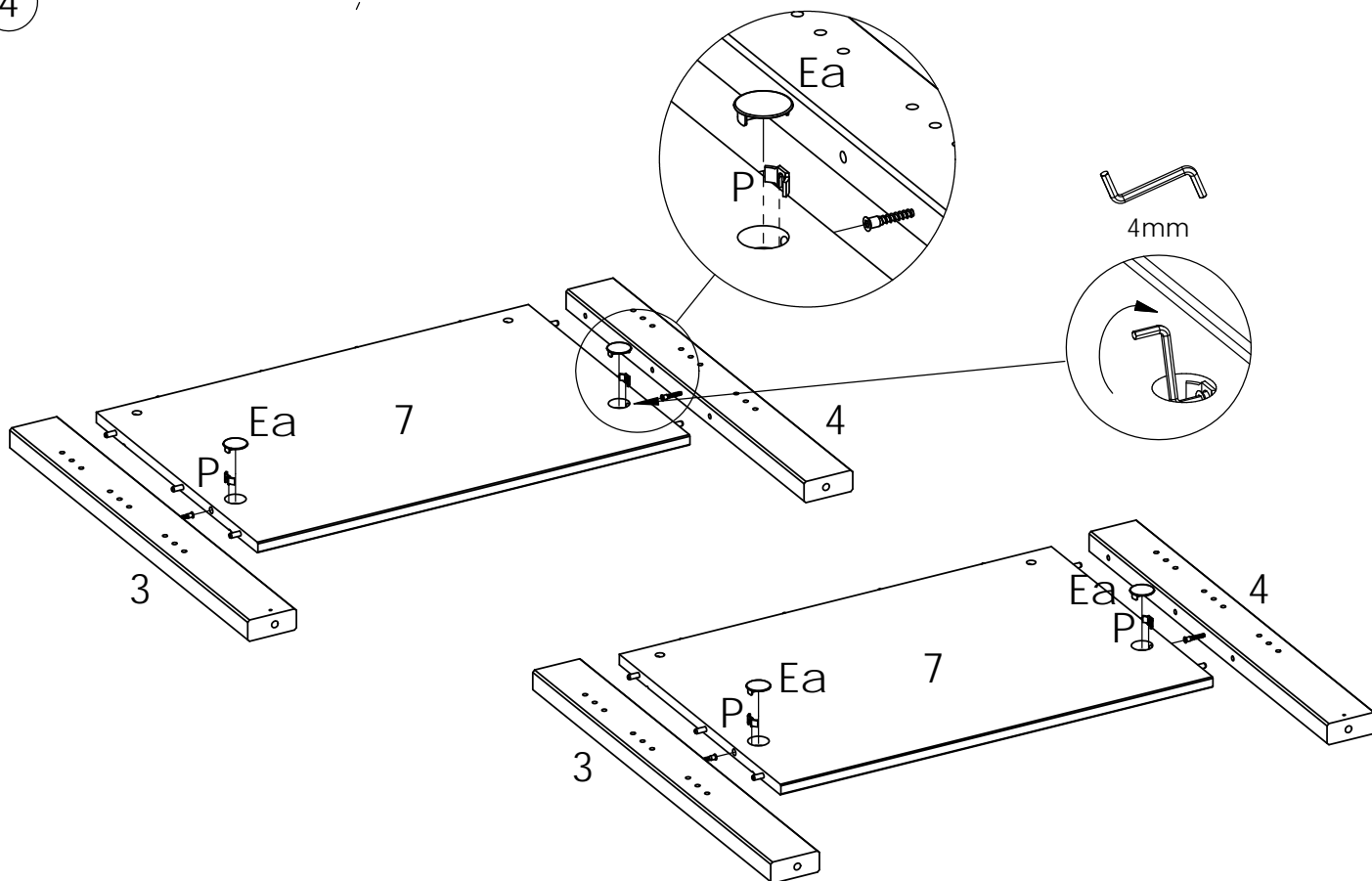
N		7x60	x8
---	---	------	----

3



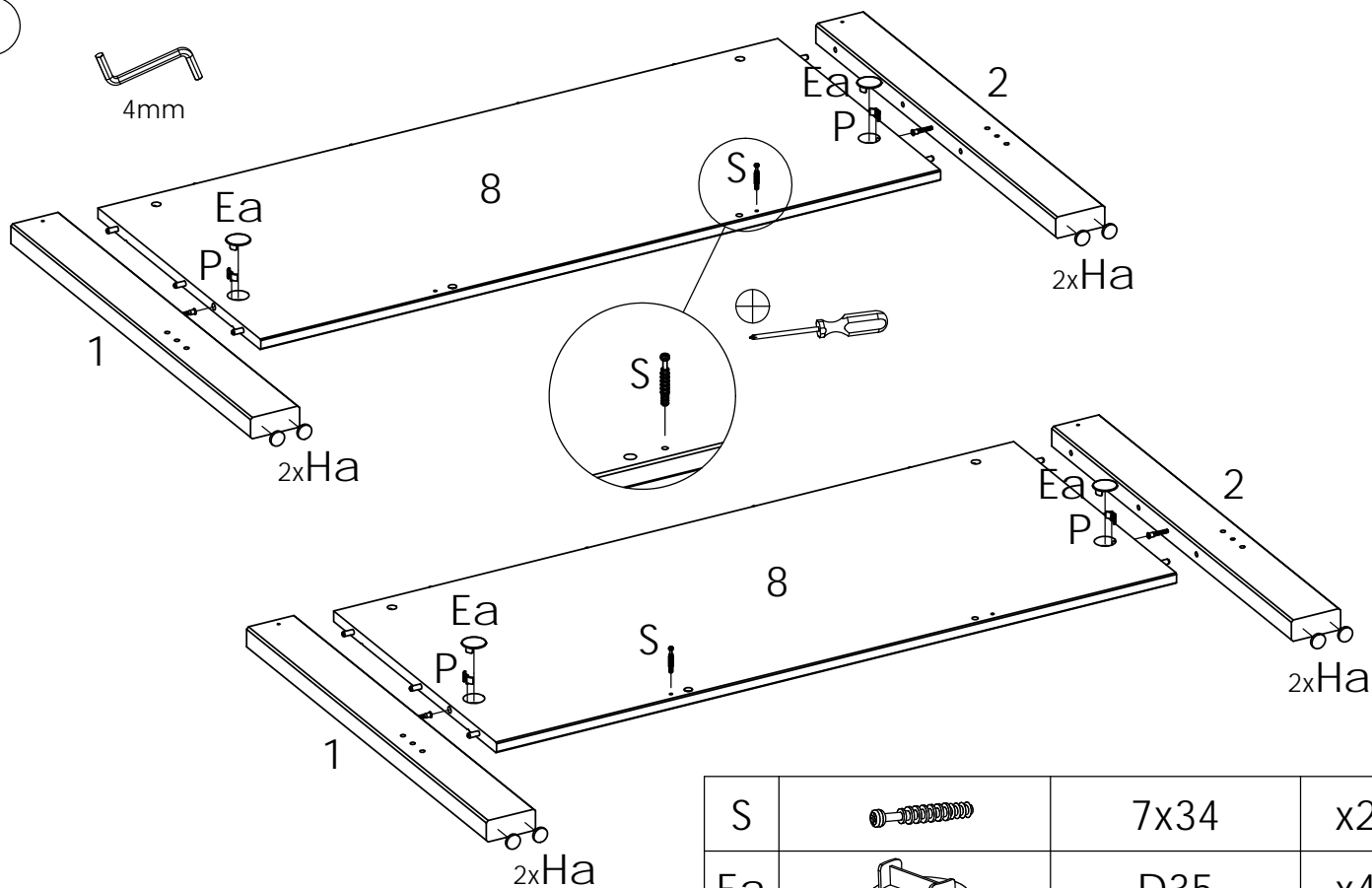
S		7x34	x8
---	--	------	----

4

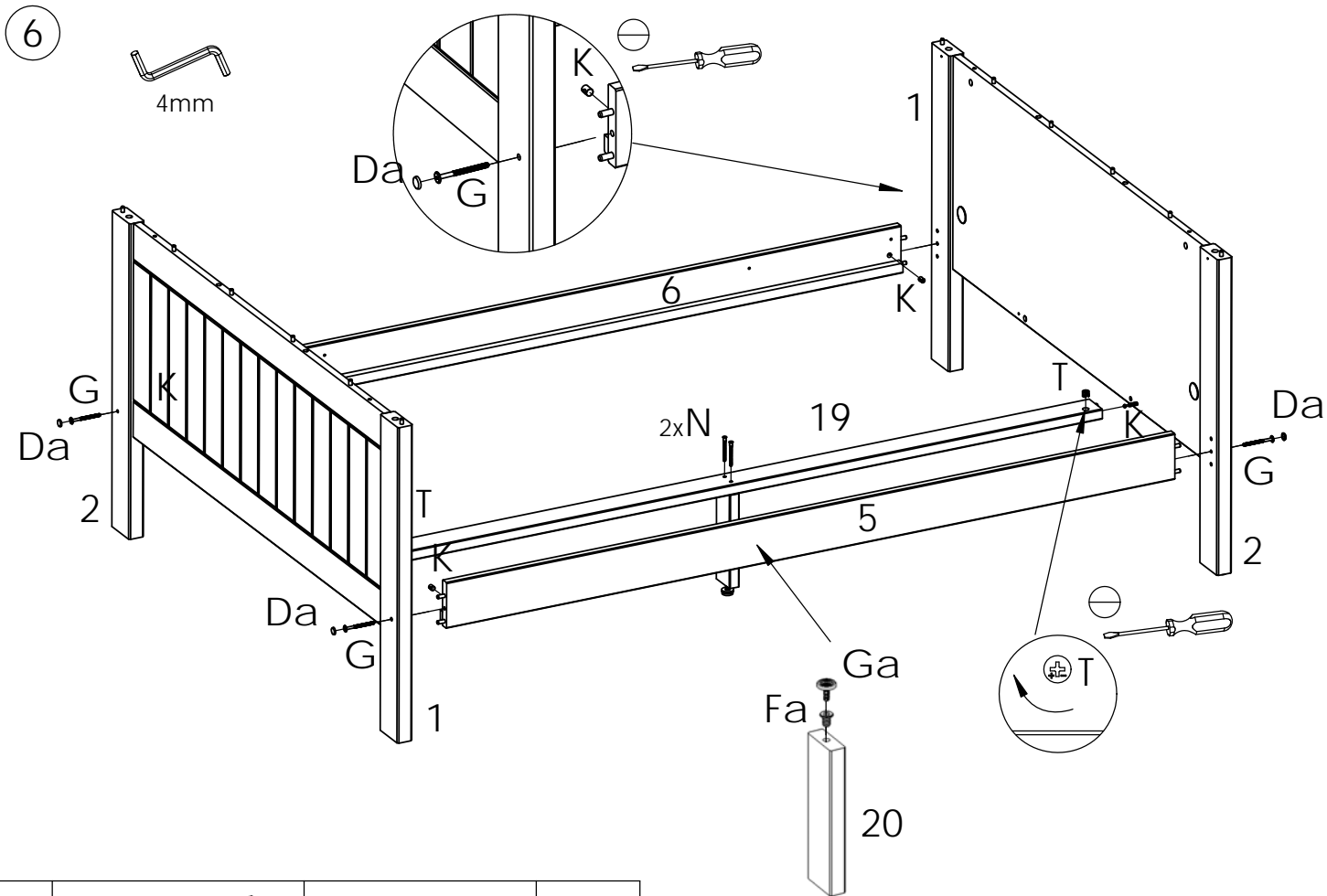


P		D35	x4	Ea		D35	x4
---	--	-----	----	----	--	-----	----

5

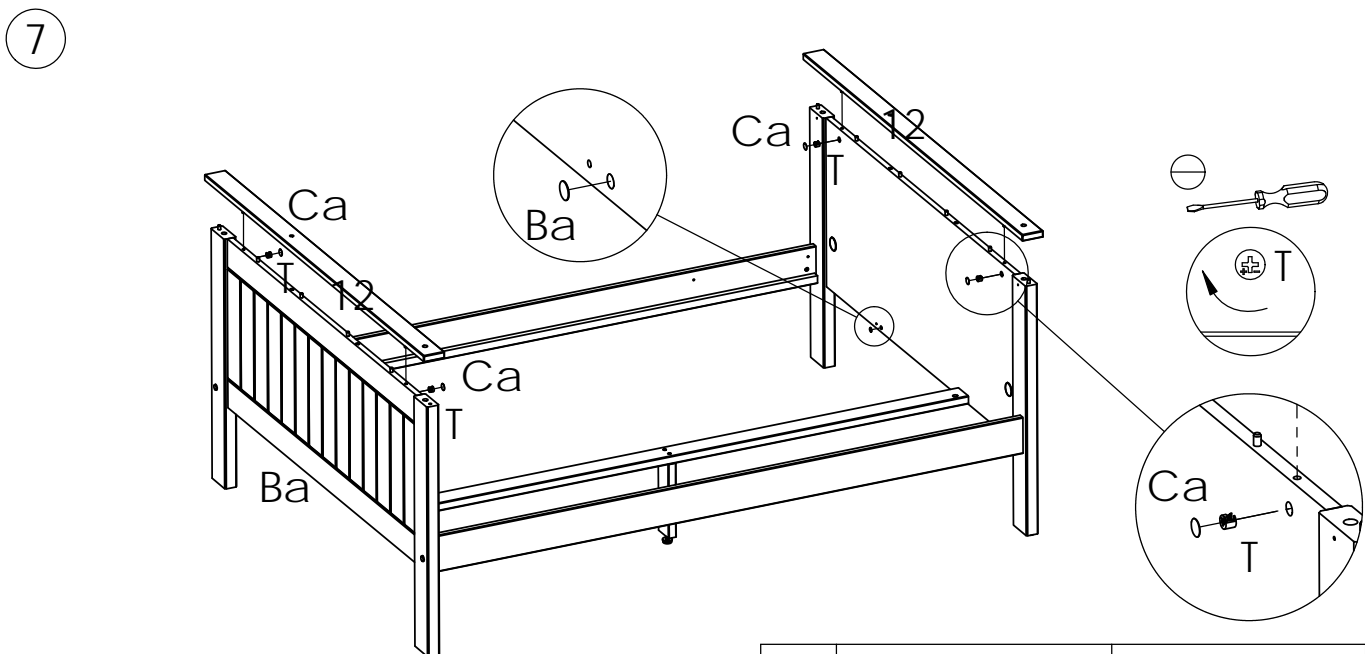


P		D35	x4	S		7x34	x2
				Ea		D35	x4
				Ha		D24x2,7	x8



G		M6x75	x4
K		M6x10x13	x4
N		7x60	x2
T		15x12	x2

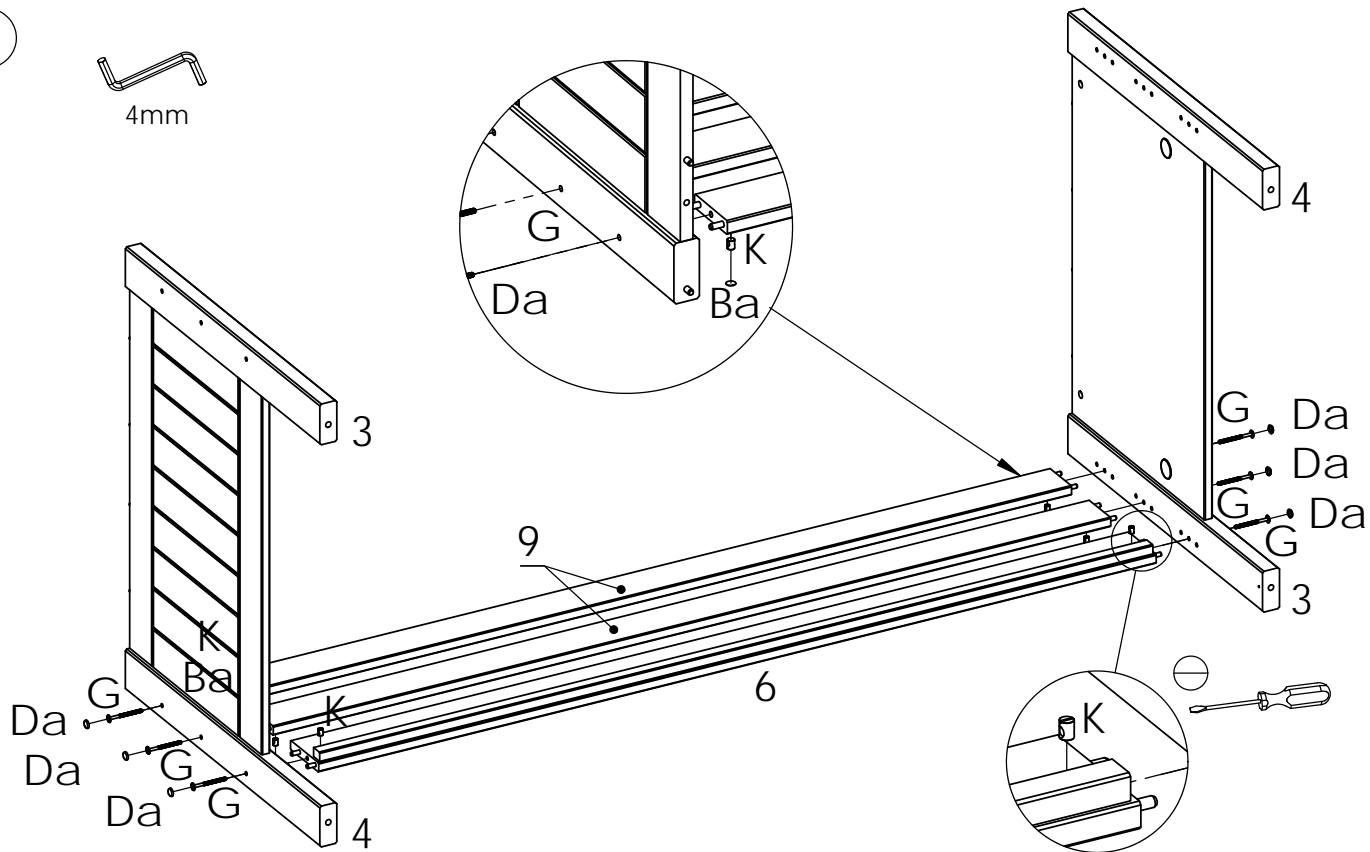
Da		D15x18	x4
Fa		M8x20x10,4	x1
Ga		M8x20 D28	x1



T		15x12	x4
---	--	-------	----

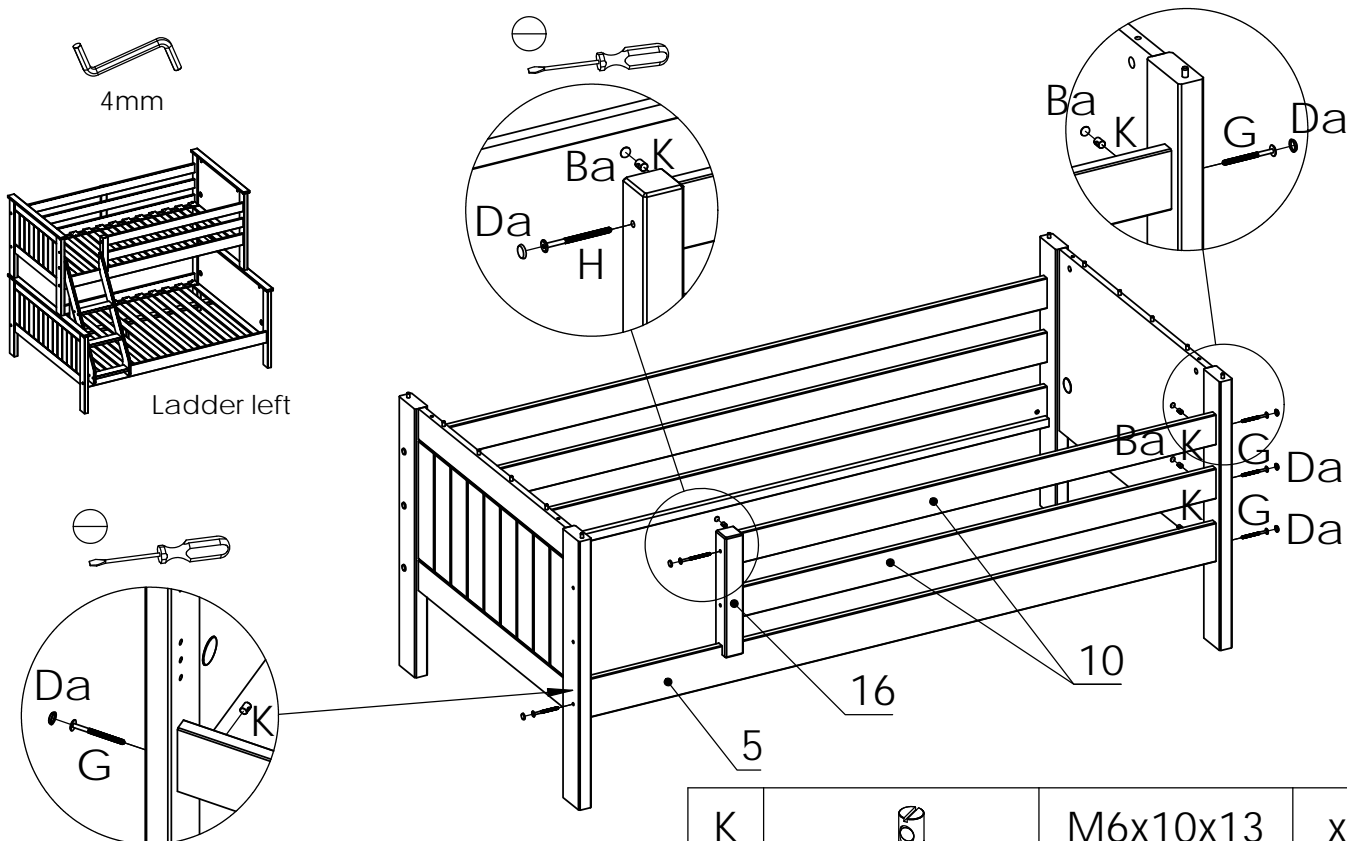
Ca		D20	x4
Ba		D13	x2

8



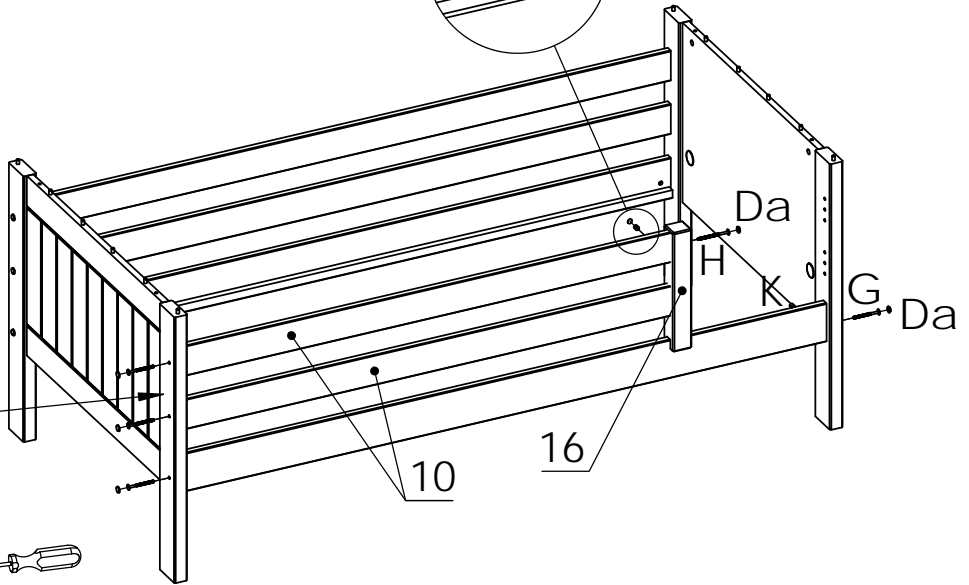
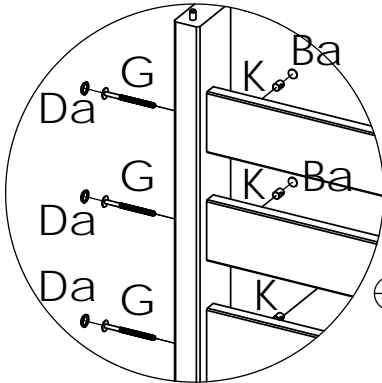
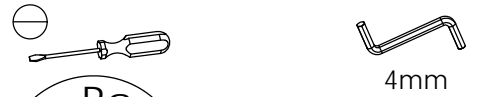
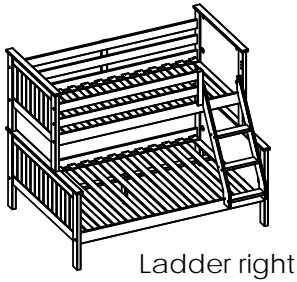
G		M6x75	x6	Ba		D13	x4
K		M6x10x13	x6	Da		D15x18	x6

9a



G		M6x75	x4	K		M6x10x13	x5
H		M6x90	x1	Ba		D13	x3
				Da		D15x18	x5

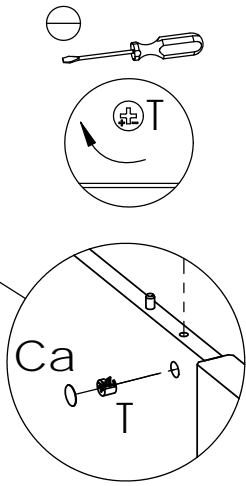
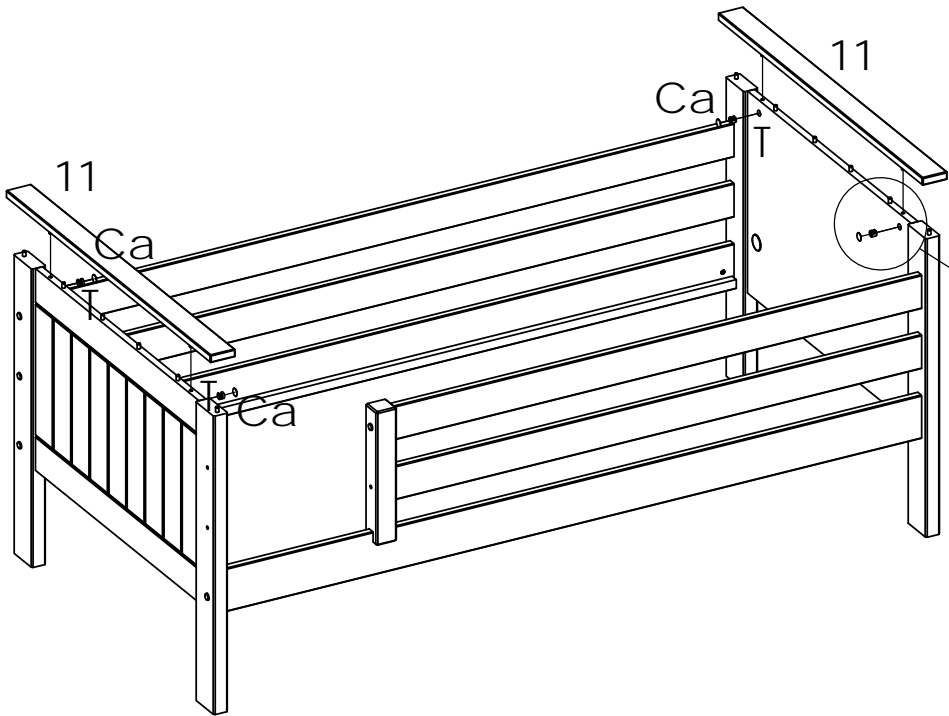
9b



G		M6x75	x4
H		M6x90	x1

K		M6x10x13	x5
Ba		D13	x3
Da		D15x18	x5

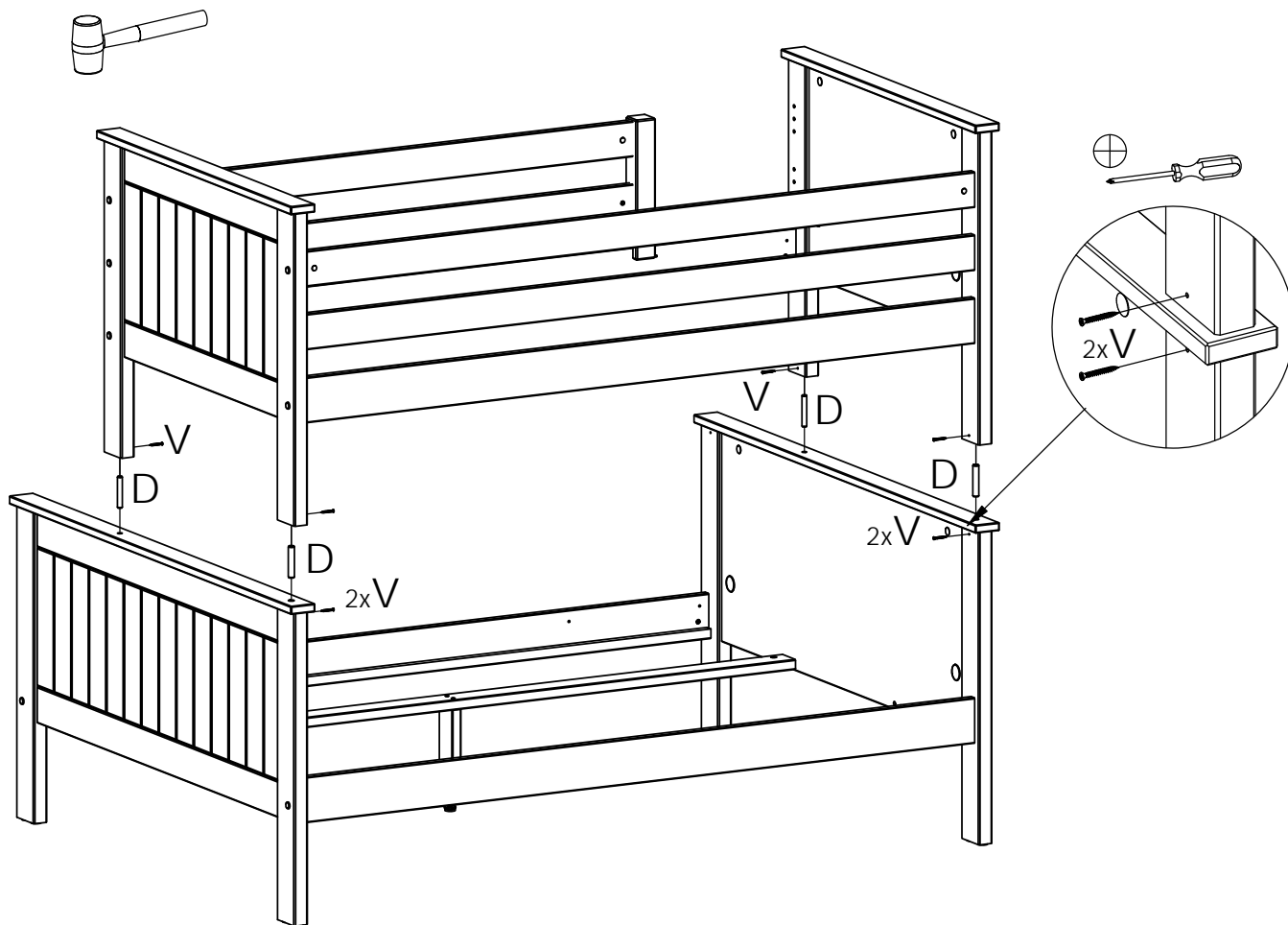
10



T		15x12	x4
---	--	-------	----

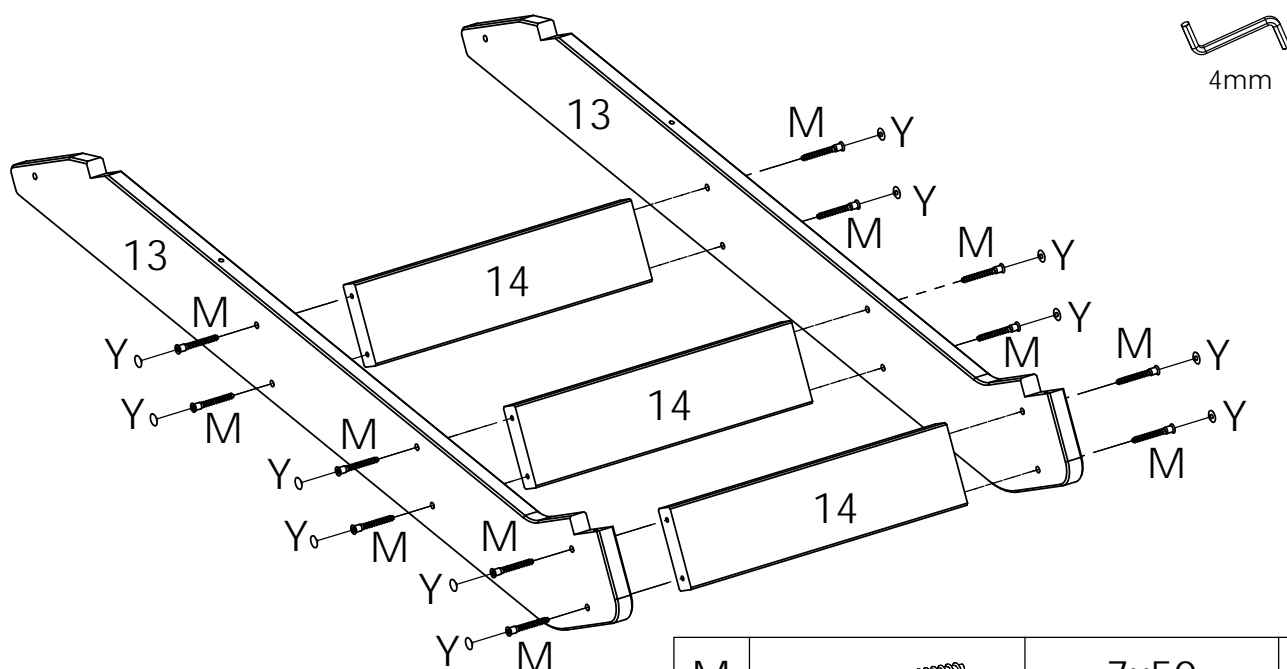
Ca		D20	x4
----	--	-----	----



11



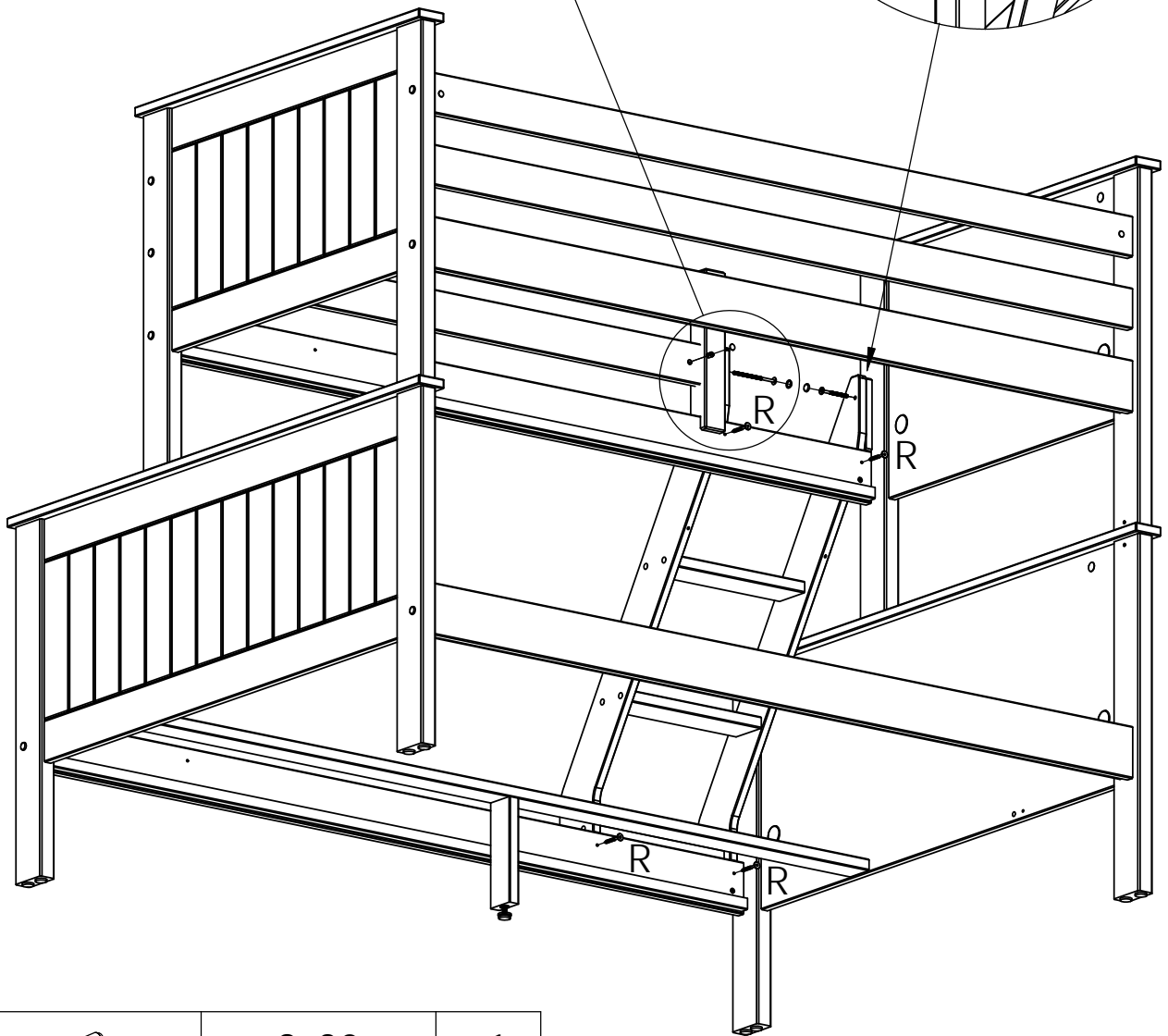
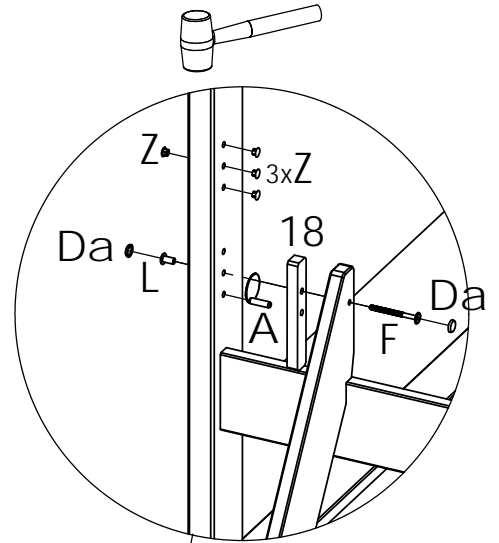
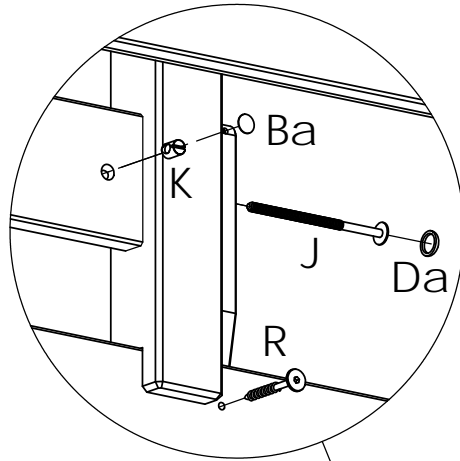
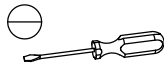
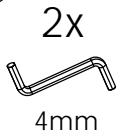
D		12x80	x4	V		4,2x35	x6
---	---	-------	----	---	---	--------	----

12



M		7x50	x12
Y		D4x13	x12

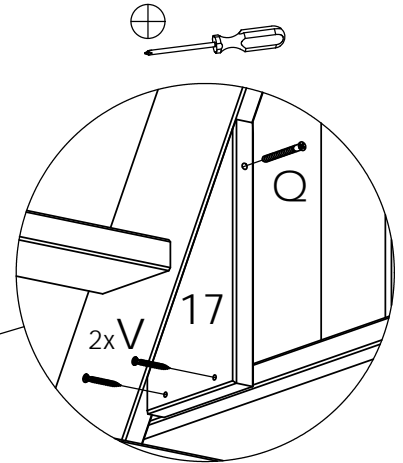
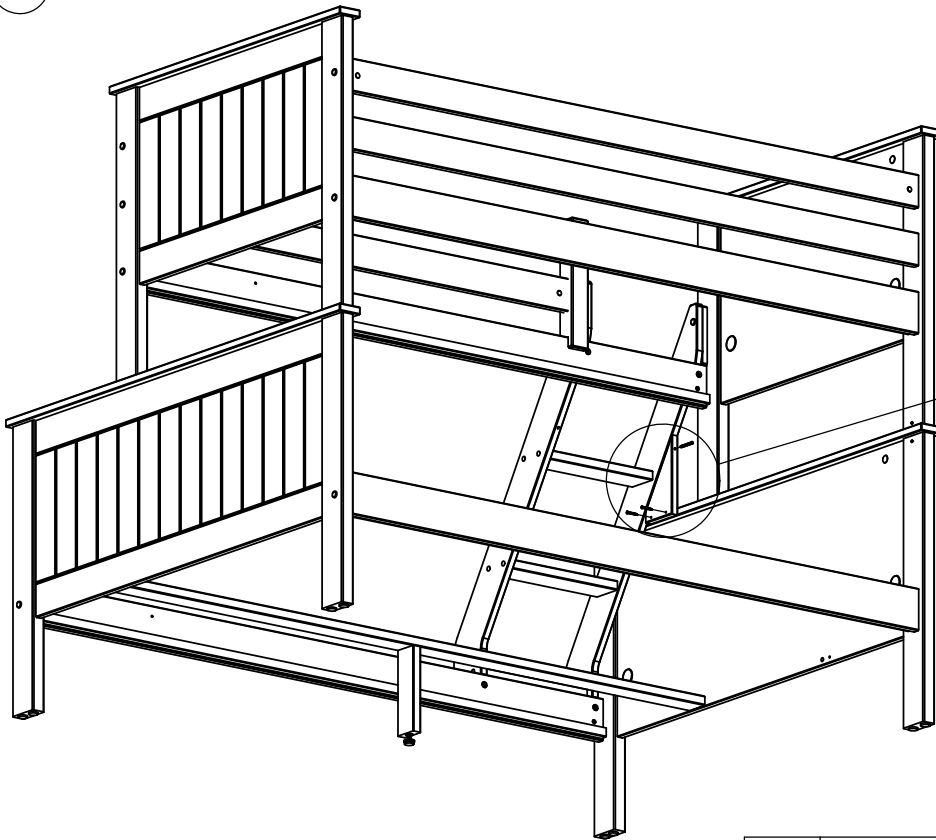
13





A		8x30	x1
F		M6x65	x1
J		M6x110	x1
K		M6x10x13	x1
L		M6x8x15x15	x1

R		57/12,5x5,5	x4
Z		D8x13	x4
Ba		D13	x1
Da		D15x18	x3

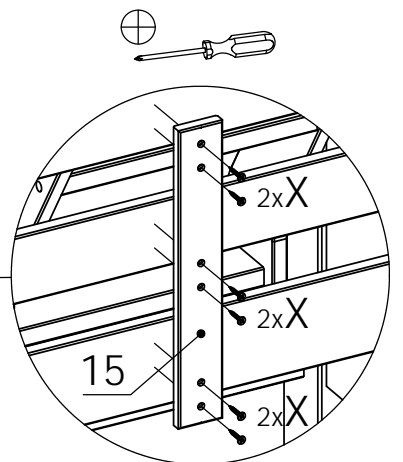
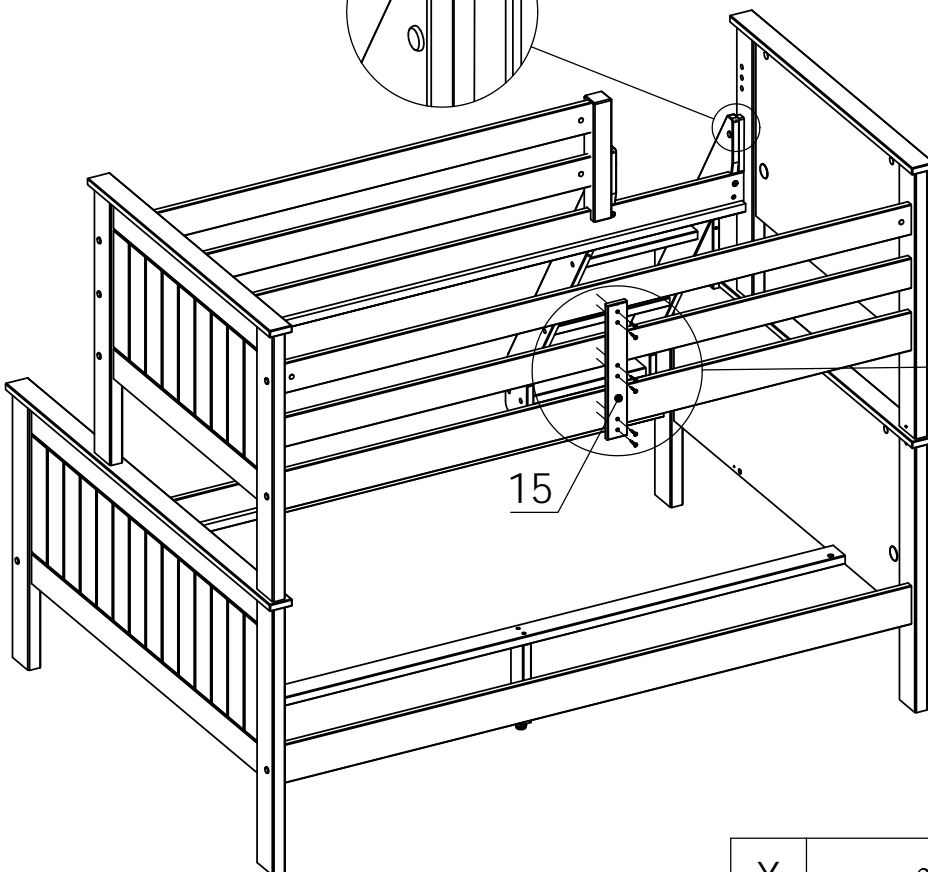
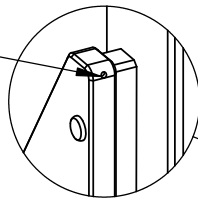
14



Q		5x50	x1
V		4,2x35	x2

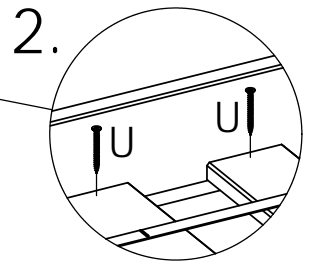
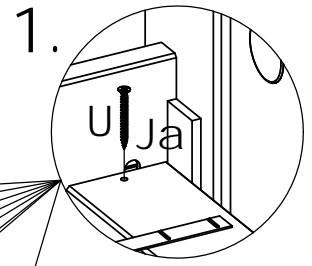
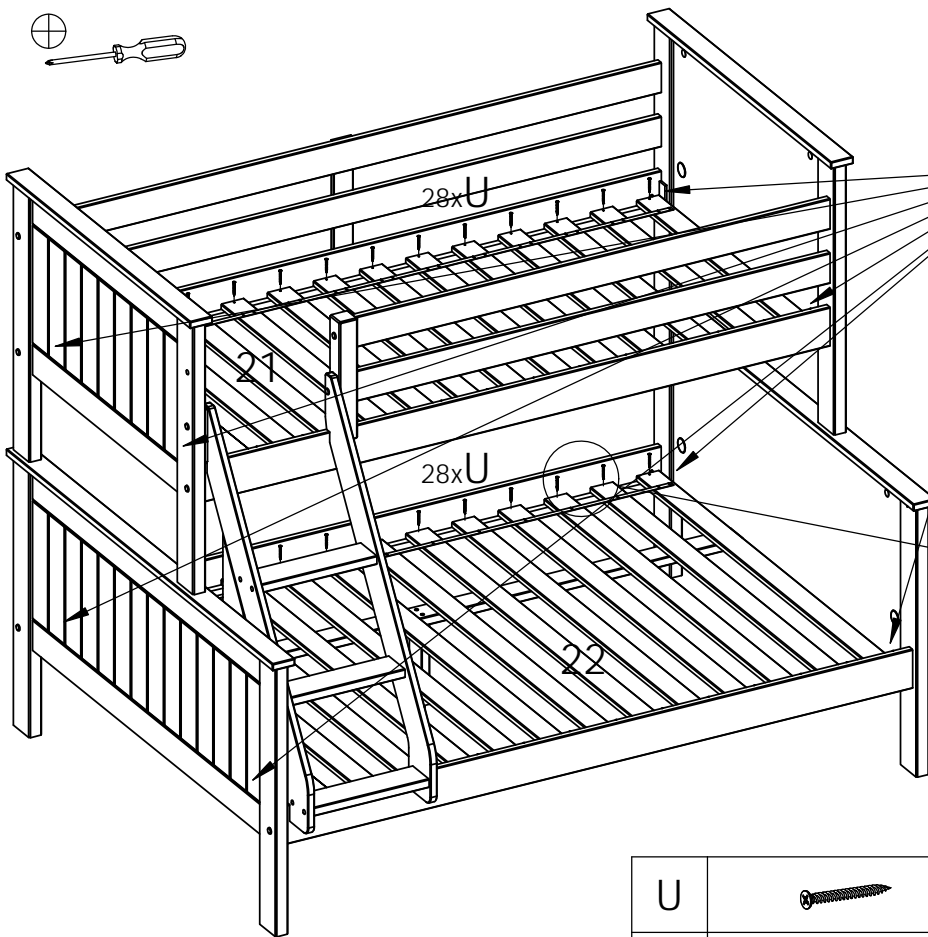
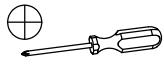
15

Max mattress height



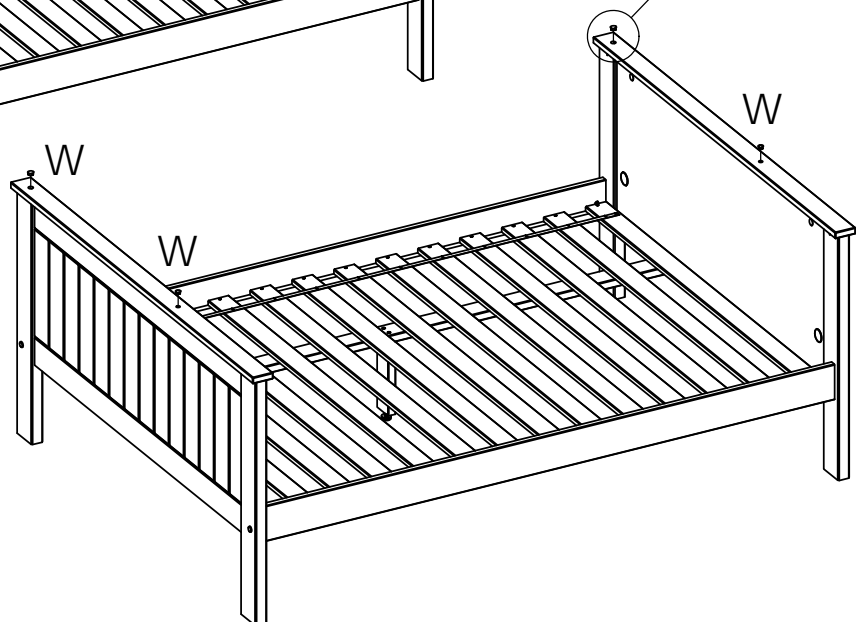
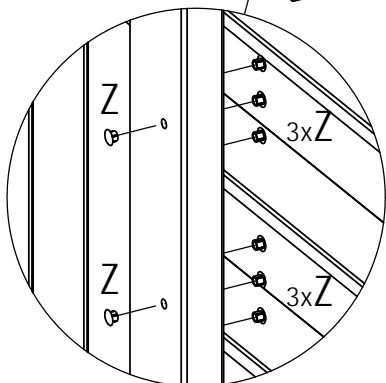
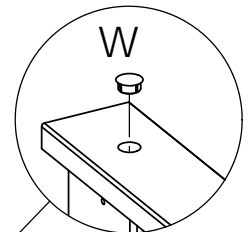
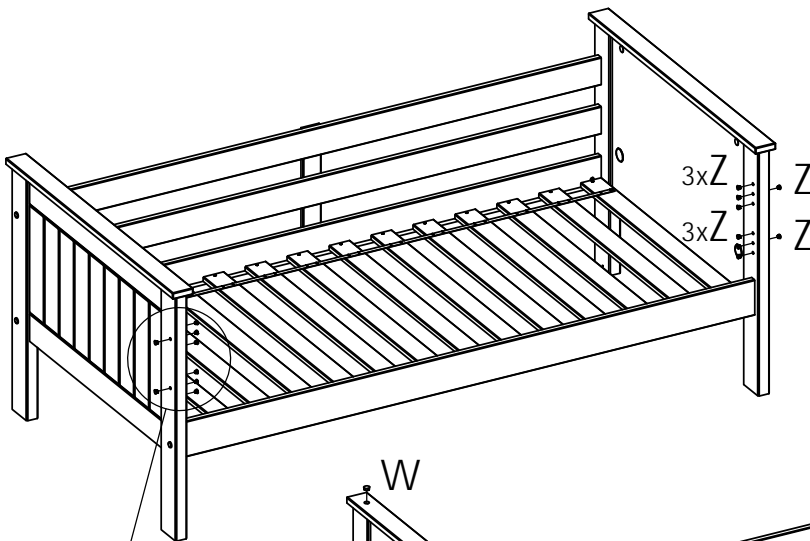
X		5x30	x6
---	---	------	----

16



U		3,5x40	x56
Ja		71x30x3	x2

17



Z		D8x13	x16	W		D12x16	x4
---	--	-------	-----	---	--	--------	----